

## DELUXE FLIGHT CAGE WITH STAND - MEDIUM



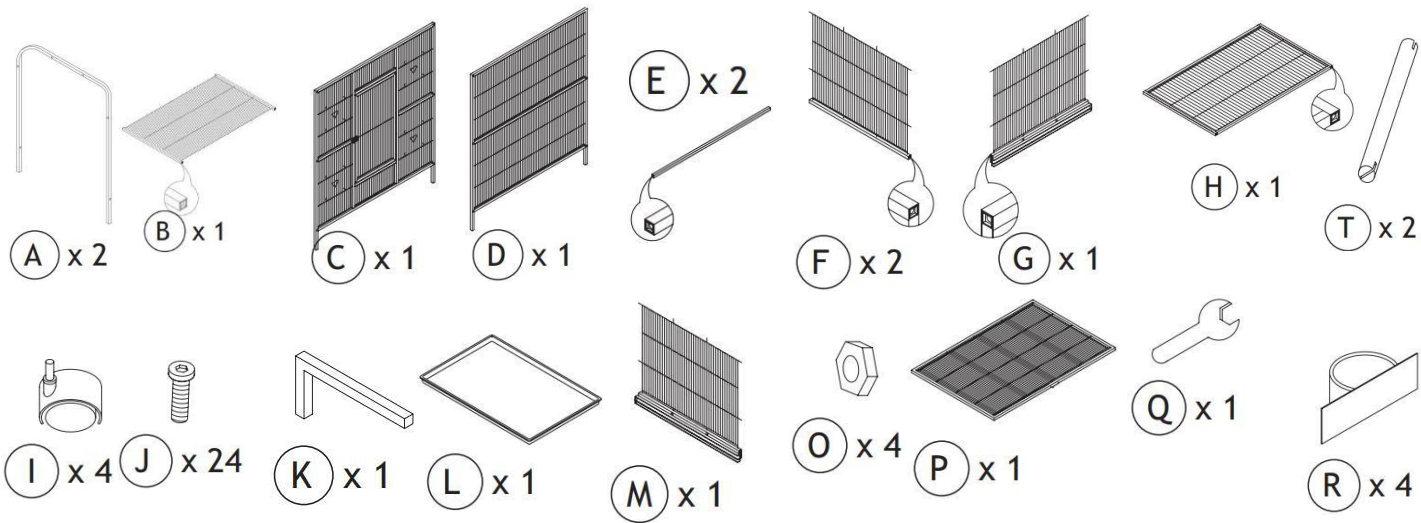
**Size:** W: 65cm x L: 43cm x H:138cm

### **Key Features:**

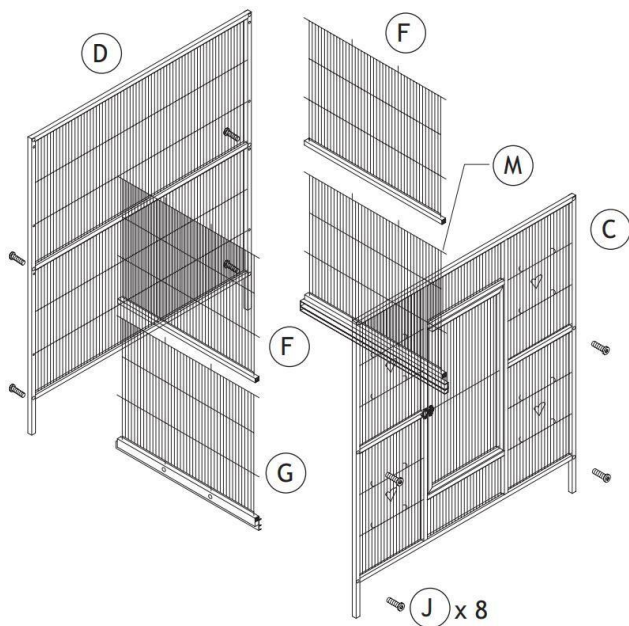
- **Premium Powder-Coated Metal Construction:** Built to last, the Breeders Secret Bird Cage is constructed from high-quality powder-coated metal. This heavy-duty material ensures durability, longevity, and resistance to rust, making it the perfect choice for housing your avian companions securely.
- **Heavy Duty Wire:** Rest easy knowing that your birds are safe and secure within the heavy-duty wire walls of this cage. The sturdy wire design provides both security and visibility, allowing you to keep an eye on your pets while they enjoy their cozy haven.
- **Slide-Out Trays for Easy Cleaning:** Cleaning has never been easier! With the convenient slide-out trays, you can effortlessly maintain a clean and hygienic environment for your birds. Simply remove the trays, dispose of waste, and slide them back in.
- **Castors for Effortless Mobility:** The inclusion of castors on the bottom of the Breeders Secret Bird Cage allows you to move it around your home with ease. Whether you want to relocate it for a change of scenery or simply need to access a different area of your living space, this cage effortlessly glides into place.
- **Includes Feeder and Drinker:** We've taken the guesswork out of setting up your bird's habitat. The Breeders Secret Bird Cage comes complete with a feeder and drinker, ensuring your feathered friends have access to food and water right from the start. It's all about convenience for you and comfort for your birds.

## Assembling Instruction Sheet for Deluxe Flight Cage with Stand - Medium

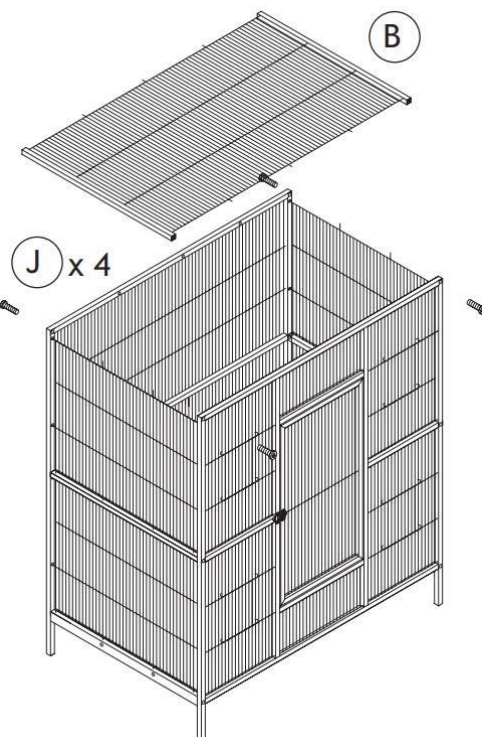
- |                    |                     |                      |            |
|--------------------|---------------------|----------------------|------------|
| A. Frame leg       | F. Top side mesh    | K. Allen key         | Q. Spanner |
| B. Top wire mesh   | G. Left bottom mesh | L. Plastic tray      | R. Feeder  |
| C. Front mesh      | H. Frame shelf mesh | M. Right bottom mesh | T. Perch   |
| D. Back mesh       | I. Wheel            | O. Nut               |            |
| E. Frame connector | J. Screw            | P. Grill             |            |



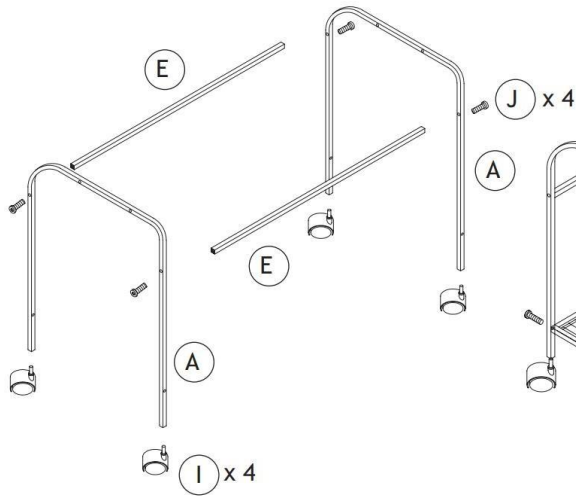
### Step 1:



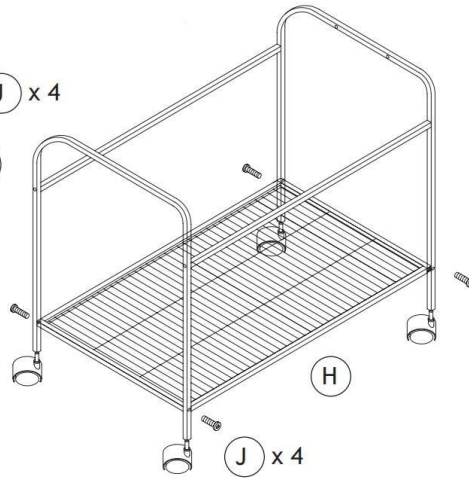
### Step 2:



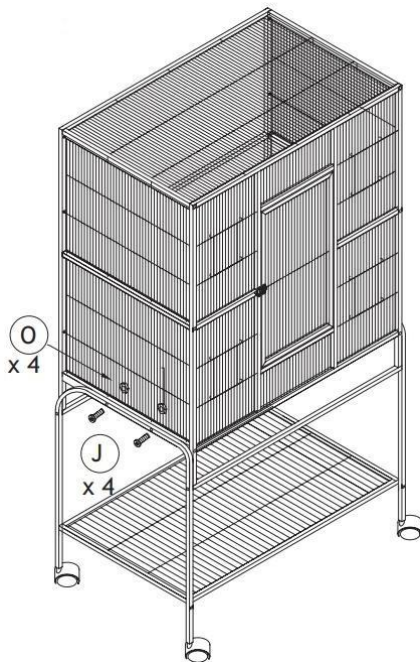
### Step 3:



### Step 4:



### Step 5:



### Step 6:

